




Batteries

Product Data Sheet

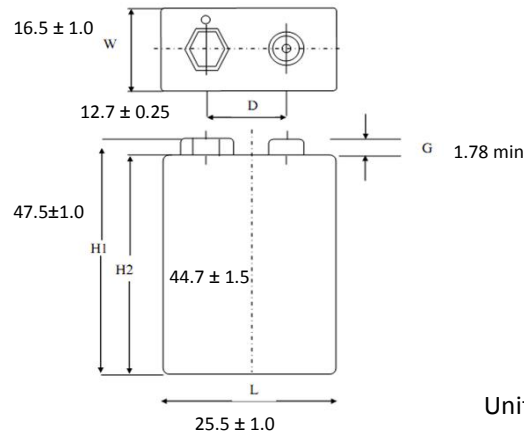
6LR61 (9 volt)

Classification	Picture	Designation Type			Weight (g)	Volume	Expire Period
		ANSI	IEC	JIS			
Alkaline		1604A	6LR61	--	45.5 ± 1.0	21.1 Cubic centimeters 91.3 cubic inch)	5 years

Spesification

- Chemical System : Zinc-Manganese Dioxide (Zn/MnO₂)
No Added Mercury or Cadmium
- Niminal Voltage : 9.0 Volt
- Nominal IR : 150 to 300 milliohms (fresh)
- Operating Temperature : -18°C to 55°C (0°F to 130°F)
- Jacket : Metal
- Terminal : Miniatur Snap

Industry Standard Dimension



Unit (mm)