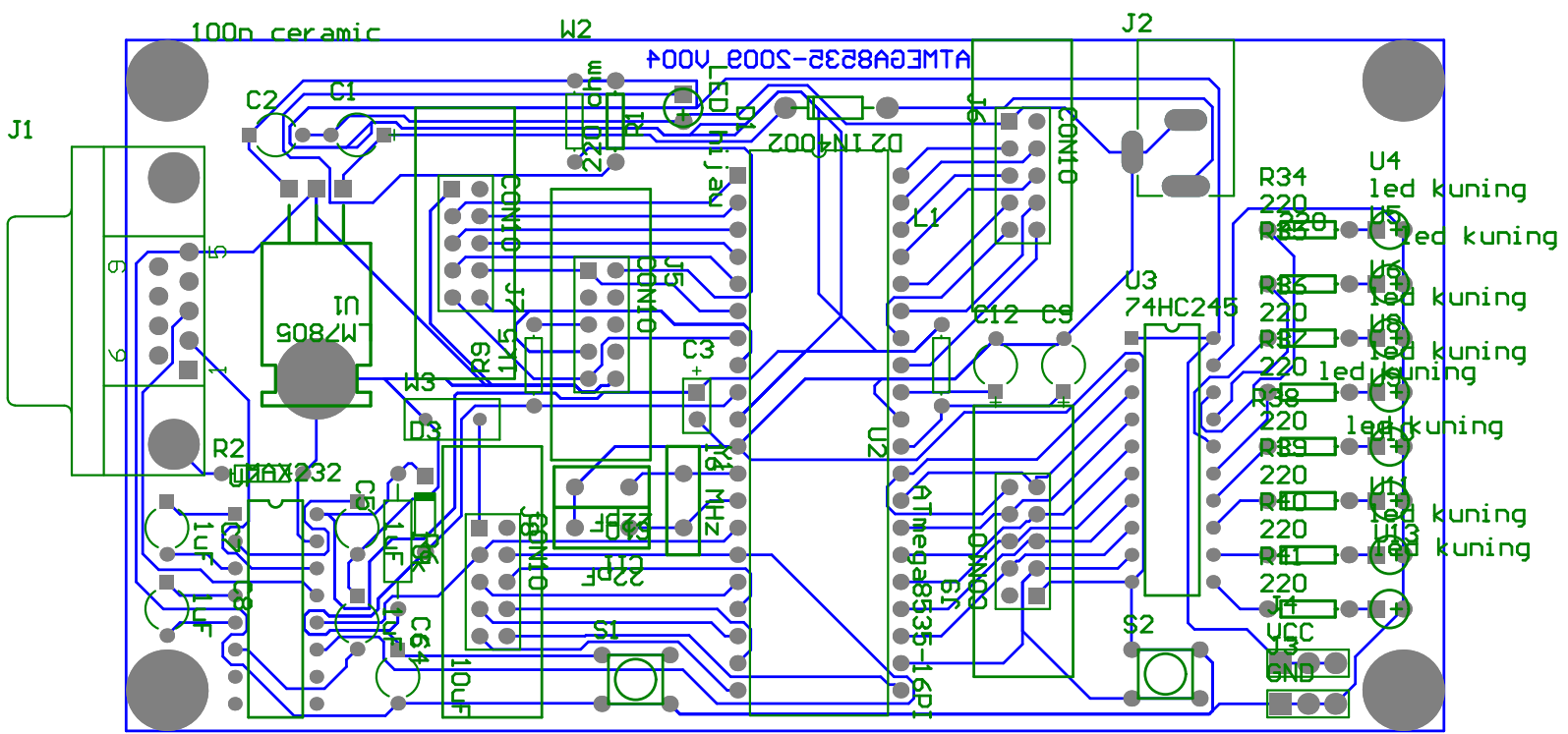


Title		
Size	Number	Revision
B		
Date:	5/3/2011	Sheet of
File:	E:\data\ATMEGA8535-v2.SCHDOC	Drawn By:



Comment	Description	Designator	Quantity
100uF	Capacitor	C1	1
100n ceramic	Capacitor	C2	1
100n Monocap	Capacitor	C3	1
10uF	Capacitor	C4, C12	2
1uF	Capacitor	C5, C6, C7, C8	4
100nF	Capacitor	C9	1
22pF	Capacitor	C10, C11	2
LED hijau		D1	1
1N4002	Diode	D2	1
Diode 1N4148	High Conductance Fast Diode	D3	1
D Connector 9	Receptacle Assembly, 9 Position, Right Angle	J1	1
PWR2.5	Low Voltage Power Supply Connector	J2	1
GND	Connector	J3	1
VCC	Connector	J4	1
CON10	Connector	J5, J6, J7, J8, J9	5
HEADER2	Connector	J10	1
HEADER2 biru	Connector	J16	1
Inductor Iron	Magnetic-Core Inductor	L1	1
220 ohm		R1	1
1k	Resistor	R2	1
10k		R6	1
1k5		R9	1
220		R34, R35, R36, R37, R38, R39, R40, R41	8
SW-SPST	Single-Pole, Single-Throw Switch	S1, S2	2
LM7805	Very Low Drop Voltage Regulator with Inhibit	U1	1
ATmega8535-16PI	8-Bit AVR Microcontroller with 8K Bytes of In-System Programmable Flash Memory	U2	1
74HC245	QUAD BUS TRANSCEIVER 3SO	U3	1
led kuning		U4, U5, U6, U8, U9, U10, U11, U13	8
MAX232	+15KV ESD-PROTECTED, +5V RS-232 TRANSCEIVERS	U7	1
Jumper	Jumper Wire	W2	1
Jumper	Jumper Wire	W3	1
16 MHz	Crystal	Y1	1